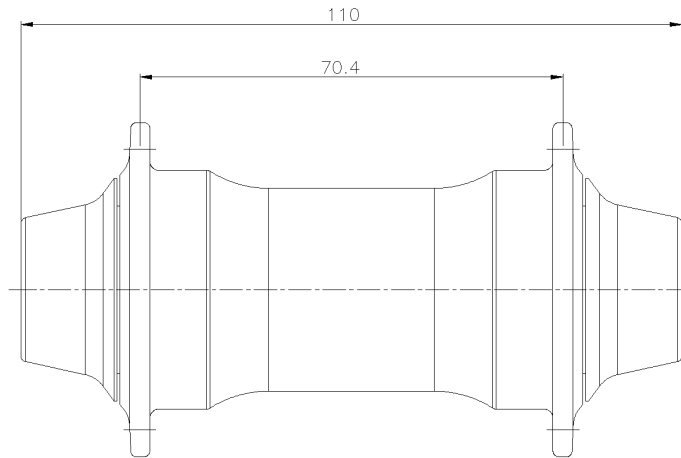


## Specification // Carmen



version	Carmen V1
axle compatibility	20 mm through axle
spoke holes	32, 36
pitch circle diameter	47 mm (left and right side)
bearings	4 pieces 25 x 37 x 7 mm, sealed bearings
disc mount	no
colours	black anodized
weight	205 g / 7.2 ounces

### Remarks

Make sure you do not need a disc brake on your front wheel, because the Carmen front hub does not offer a disc mount.

To find specifications of discontinued models and previous versions, please have a look at [www.last-bikes.com](http://www.last-bikes.com) in the service category.

The information given in this document is subject to change without notice.