

Specification // Raffnix

version	Raffnix V2-06
sizes	one size only
colours	existential black, last green, white, orange
material	Sanko 4130 CrMo, custom butted
head tube	1 1/8", Integr., internally and externally CNC machined
head set type	standard headsets with a minimum insertion depth of 20 mm
seat post size	ø 30,0mm
seat post clamp	ø 31,8 mm
compatible tires	26"/24" x 2,7", tire clearance 74 mm
disc brake	Internat. Standard, max. ø 180 mm
cable guides	for derailleur and disc brake
bottom bracket	BMX ø 51,5 x 68 mm
chain device mount	no
dropouts	8 mm with integrated chain tensioners
axle slots	10 mm
hub width	135 mm
derailleur eye	seperately available
weight	~ 3 kg

Helpful Information

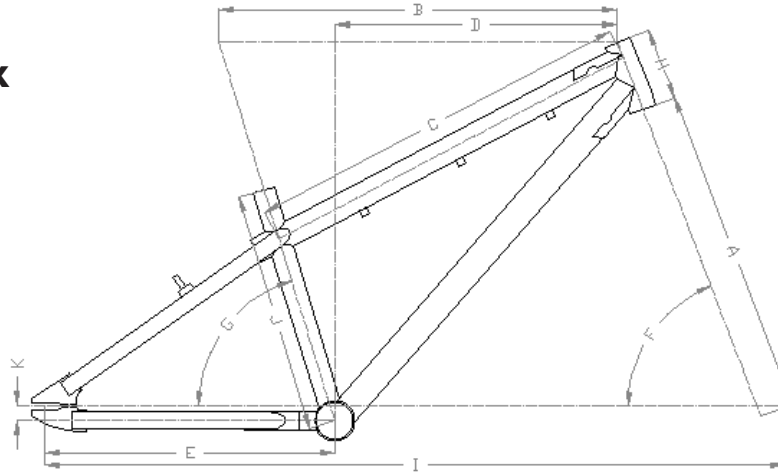
The Raffnix frame is intended to be used with standard head sets having a minimum insert depth of 20 mm. Use specific tools to insert your head set correctly. The press fit between head set cup and head tube is tight. Do not ream the inside of the head tube. Only the front face may be reamed when necessary.

The Raffnix features a BMX type bottom bracket. If you do not wish to use a BMX type bottom bracket, you may purchase a BMX to Euro (BSA) adapter to fit your MTB type cranks with this frame.

To find specifications of discontinued models and previous versions, please have a look at www.last-bikes.com in the service category.

The information given in this document is subject to change without notice.

Geometry // Raffnix



frame version	Raffnix V2-06	
example fork	Rock Shox Argyle 2007-2009	
fork travel	100 mm	tuned to 80 mm
L fork offset	42 mm	42 mm
A fork length + head set height	491 + 1 mm	471 + 1 mm
B top tube horizontal	565 mm	562 mm
C top tube sloped	552 mm	552 mm
D top tube	387 mm	397 mm
E chain stay length	375 - 405 mm	375 - 405 mm
F steering angle	67,8 °	68,9 °
G seat angle	72,2 °	73,2 °
H head tube length	100 mm	100 mm
I wheel base	1031 - 1061 mm	1023 - 1053 mm
J seat tube length	326 mm	326 mm
K bottom bracket height	-8 mm	-15 mm
bottom bracket height (26")	331 mm	324 mm

Remarks

The table to the left shows the nominal geometry of our frames using a Rock Shox Argyle fork. The information on the right side is for this fork tuned to 80 mm travel and lowering the crown by 20 mm. If you want to use a different fork you can easily calculate the approximate change of the steering angle. The change is about 0,5 ° towards a steeper angle per 10 mm lowered crown.

The information given in this document is subject to change without notice.